



**Installation guideline for  
Luna Aalto 32x142**

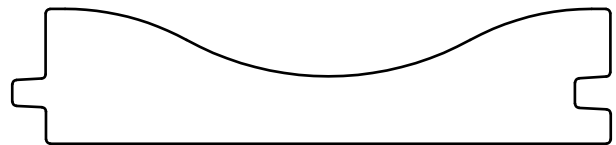


# LUNA AALTO

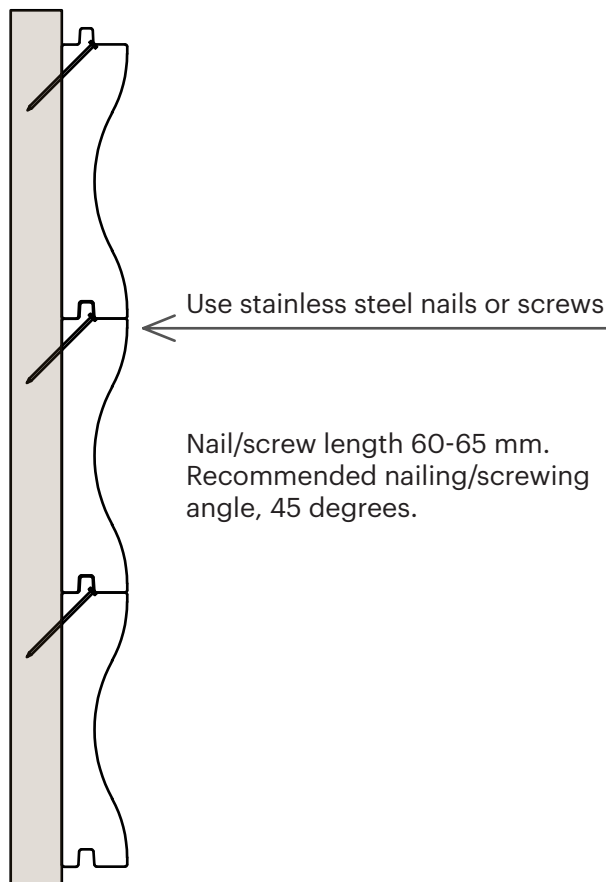
## Guideline for Luna Aalto installation

Luna Aalto -profile has a beautiful wave-shape profile that gives a 3D effect for interior and exterior. It has smooth and planed surface with butterfly knots.

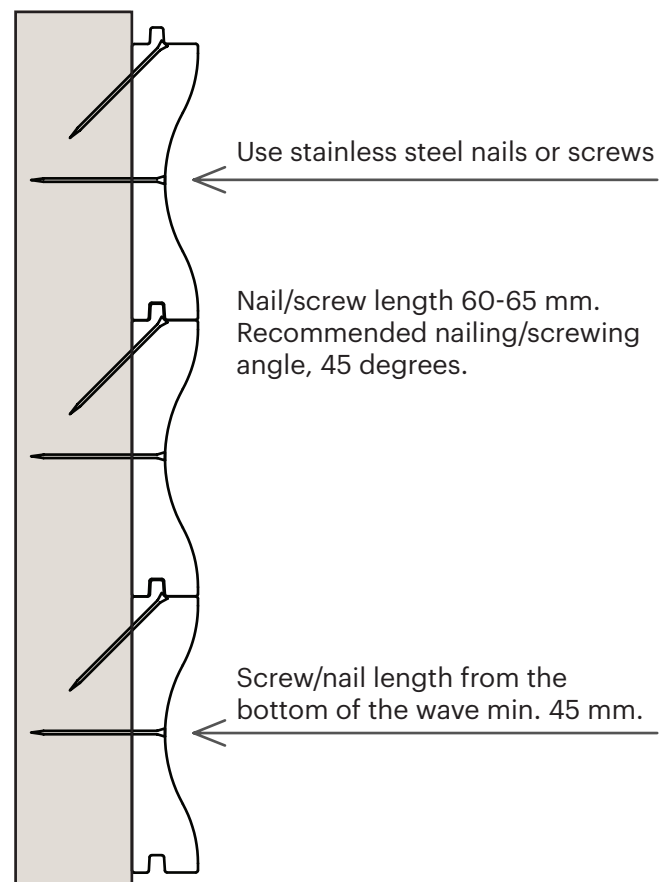
dimensions (mm)	32x142
class	LunaThermo-D
species	Nordic pine
length (m)	3,6 - 5,1
m/m <sup>2</sup>	7,4
joist spacing (mm)	600



### Indoor application:

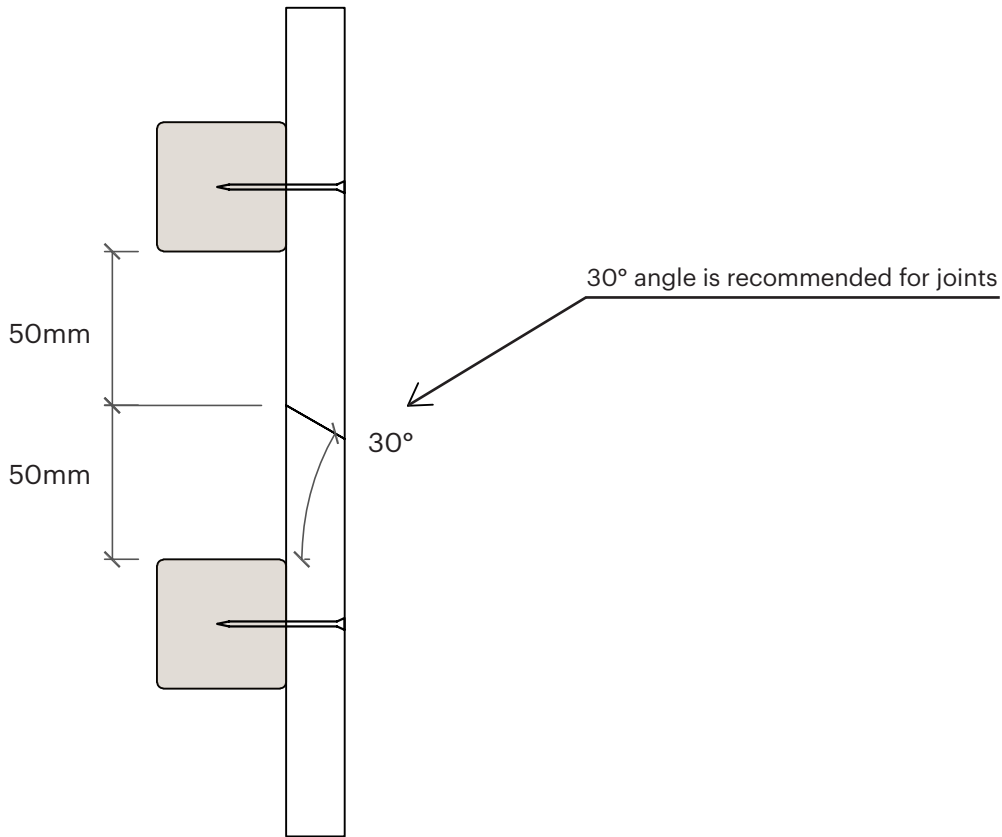


### Outdoor application:



# General board joint guideline

---



## Fasten nails/screws to the correct depth



This brochure is provided for informational purposes only and no liability or responsibility of any kind is accepted by Lunawood or its representatives, although Lunawood has taken reasonable efforts to verify the accuracy of any advice, recommendation, or information. Lunawood reserves the right to alter its products, product information and product range without prior notice.